



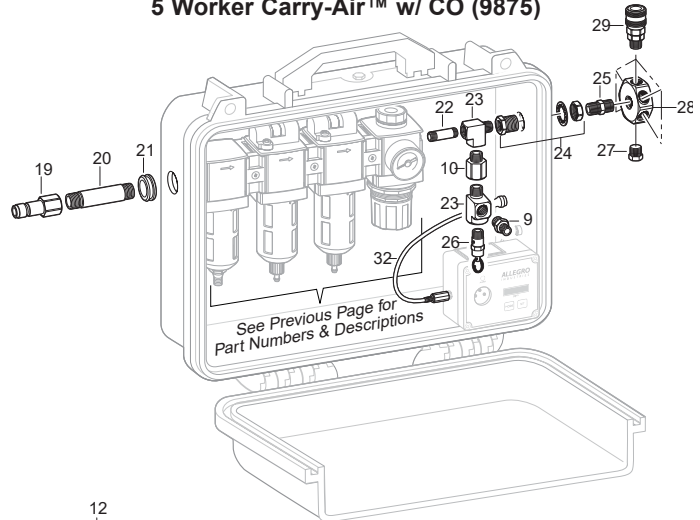
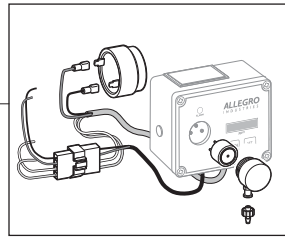
PRODUCT:

**BREATHING AIR FILTRATION PANELS
(5 WORKERS)**

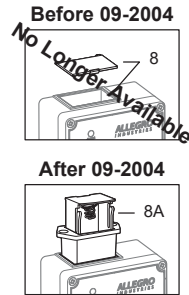
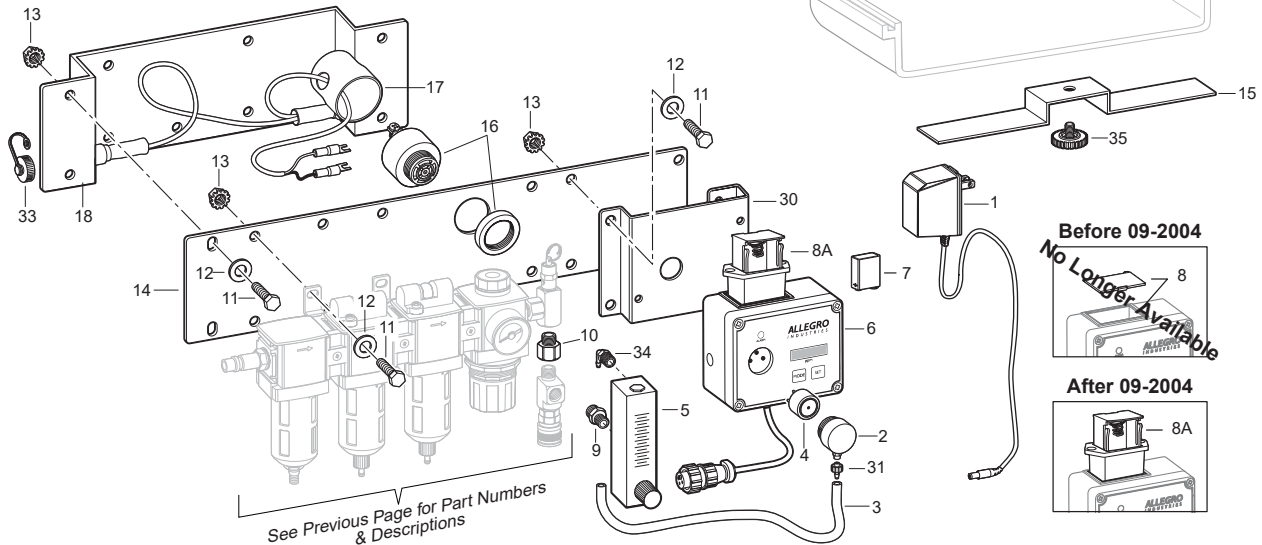
PART NUMBER:

**9875 (CARRY-AIR™ W/ CO MONITOR)
9875-40 (WALL-AIR™ W/ CO MONITOR)**

5 Worker Carry-Air™ w/ CO (9875)



(9875-40)



KEY	PART #	DESCRIPTION	KEY	PART #	DESCRIPTION	KEY	PART #	DESCRIPTION
	9875	5 Worker Carry-Air™ w/ CO	10	9875-25	Adapter	27	9885-33	Hex Plug
	9875-40	5 Worker Wall-Air™ w/ CO	11	9800-74	Tap Bolt	28	9875-11	5 Worker Manifold w/o Coupler or Plug
1	9872-95	AC to DC Power Supply	12	9800-62	Flat Washer	29		Coupler (See Page 49)
2	9872-92	Sensor Cover	13	9500-67	K-Nut	30	9872-21	CO Monitor Bracket (Carry-Air™)
3	9875-14	Poly Flow Tubing	14	9865-06C	Filter Panel Plate		9865-17	CO Monitor Bracket (Wall-Air™)
4	9872-69	CO Sensor	15	9872-30	Support Stand	31	9872-14B	Male Luer
5	9872-25	Flow Meter	16	9871-01D	Piezo Alarm	32	9872-88	DC Plug Extension
6	9872-02B	CO Monitor for Wall-Air™ (Includes 1, 2, 4, 6-8)	17	9871-01N	Alarm Cover	33	9872-85	Receptacle Cap
	9872-02BC	CO Monitor for Carry-Air™ (Includes 1, 2, 4, 6-8)	18	9865-05C	Bracket Assembly	34	9872-17	Elbow
7	9871-01F	Battery	19	9700-72C	Male Plug	35	9872-30A	Support Stand Retainer Screw
8	9872-91	Battery Compartment Cover (Not sold separately) NO LONGER AVAIL.	20	9875-21	Brass Nipple			Parts and Accessories
	9872-91A	Battery Compartment (Purchased before 09-2004) NO LONGER AVAIL.	21	9875-12	Grommet	9872-60		CO Monitor Calibration Kit (Includes 2 Gases: 1 Regulator, 1 Tubing)
8a	9872-91B	Battery Compartment (Purchased after 09-2004)	22	9872-24	Nipple	9872-61		Calibration Span Gas, 17 Liter Bottle
9	9872-28	Reducer	23	9872-27	Street Tee	9872-62		Calibration Zero Gas, 17 Liter Bottle
			24	9872-11	Bulkhead			
			25	9000-25	Nipple			
			26	9875-09	Relief Valve			